

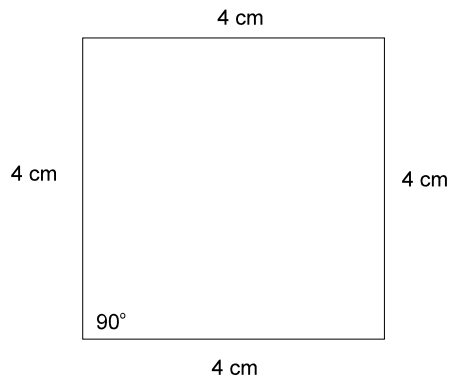
4. Draw a parallelogram MNOP where $\overline{MN} = 4$ cm, $\angle O = 65^\circ$ and $\overline{MP} = 5$ cm.

5. Draw a trapezoid WXYZ where $\overline{WX} = 5$ cm, $\angle W = 80^\circ$, $\angle X = 60^\circ$ and $\overline{WZ} = 3$ cm.

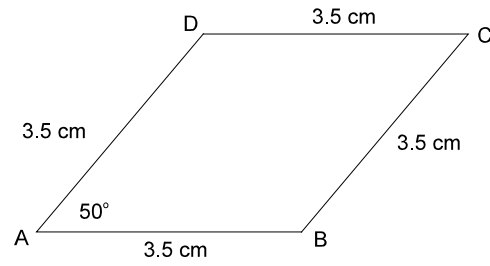
6. Draw a square with 6 cm diagonals.

ANSWER KEY

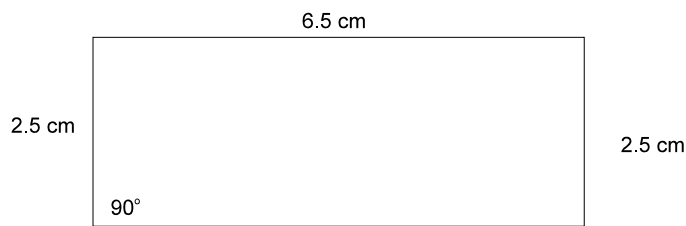
1.



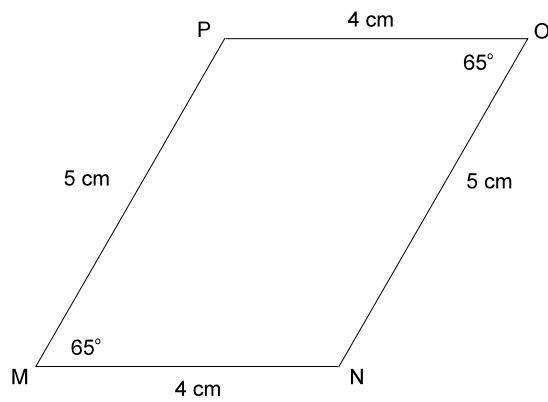
2.



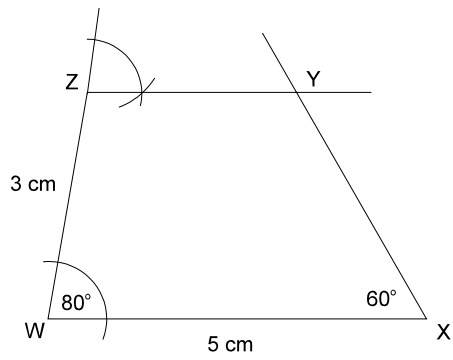
3.



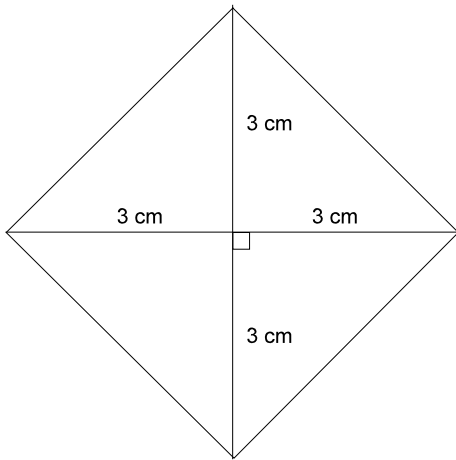
4.



5.



6.



Source: Government of BC used with permission.